

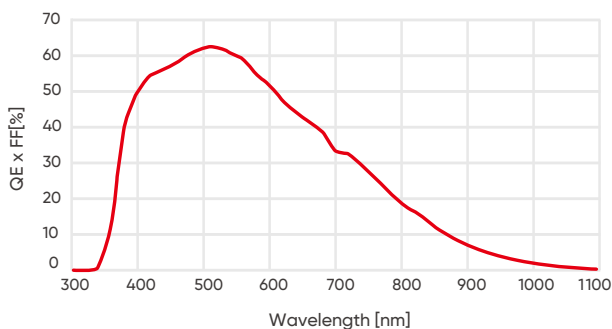
# 21MP High Speed sCMOS Camera

## Dhyana 2100

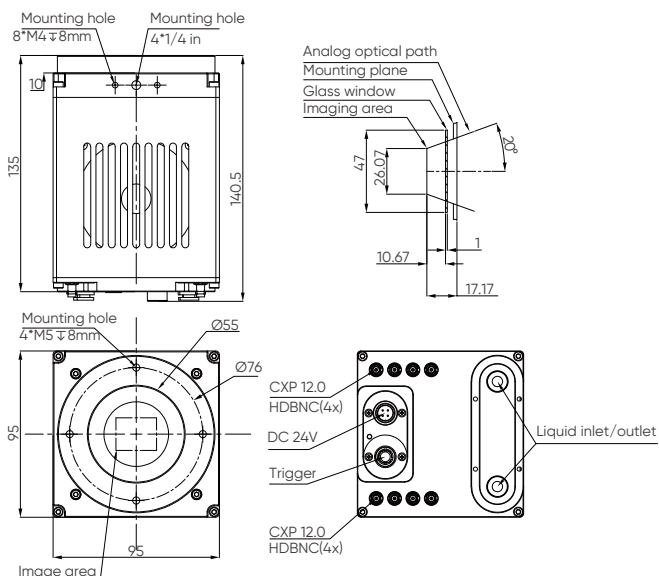


### Product Advantages

- 450 fps @ 21 MP
- Global Shutter
- CXP12 Data Interface
- Genicam™ Compliant
- 29.5 mm Diagonal FOV.
- Air & Liquid Cooling



### Product Structure



### Specifications

Model	Dhyana 2100
Sensor Type	FSI CMOS
Sensor Model	Gpixel GSPRINT4521
Peak QE	63% @ 520 nm
Color/Mono	Mono
Array Diagonal	29.5 mm
Effective Area	23.04 mm x 18.43 mm
Resolution	5120 (H) x 4096 (V)
Pixel Size	4.5 μm x 4.5 μm
Full-Well Capacity	28 ke <sup>-</sup> (12 bit Gain 0), 16.5 ke <sup>-</sup> (12 bit Gain 2), 120 ke <sup>-</sup> (binned)
Dynamic Range	68.8 dB (12 bit Gain 2)
Frame Rate	Full mode: 450 fps @ 8 bit, 300 fps @ 10 bit, 250 fps @ 12 bit Base mode: 225 fps @ 8 bit, 150 fps @ 10 bit, 150 fps @ 12 bit
Readout Noise	3.5 e <sup>-</sup> @ 12 bit
Shutter Type	Global
Exposure Time	4 μs ~ 10 s
DSNU	2 e <sup>-</sup>
PRNU	2%
Cooling Method	Air, Liquid
Max. Cooling Temperature	30 °C below ambient
Binning	2 x 2, 4 x 4, 8 x 8
ROI	Support
Trigger Mode	Hardware, Software
Output Trigger Signals	Exposure start, Readout end
Trigger Interface	Hirose
Data Interface	Full mode: CXP12 x8, Base mode: CXP12 x4
Data Bit Depth	8 bit, 10 bit, 12 bit
Optical Interface	M52 / F-Mount / user Customization
Power Supply	DC 24 V / 6 A
Power Consumption	≤ 120 W
Dimensions	95 mm x 95 mm x 140.5 mm
Weight	1816 g
Software	SamplePro, LabView, Micromanager
SDK	C, C++, C#
Operating System	Windows, Linux
Operating Environment	Temperature 0~40 °C , Humidity 10~85%

**Tucsen Photonics Co., Ltd.**

Tel: +86-591-28055080 Email: support@tucsen.com

Add: 5# Wanwushe Smart Industrial Park, No.2 Yangqi Branch Rd,  
Gaishan Town, Cangshan Area, Fuzhou, Fujian, PRC.

www.tucsen.com